

ENGLISH

User manual




TABLE OF CONTENTS

1.	PRECAUTIONS AND SAFETY MEASURES	2
1.1.	Preliminary instructions	2
1.2.	During use.....	3
1.3.	After use.....	3
1.4.	Definition of measurement (overvoltage) category	3
2.	GENERAL DESCRIPTION	4
2.1.	Measuring average values and TRMS values	4
2.2.	Definition of true root mean square value and crest factor	4
3.	PREPARATION FOR USE	5
3.1.	Initial checks	5
3.2.	Instrument power supply	5
3.3.	Storage	5
4.	NOMENCLATURE	6
4.1.	Instrument description.....	6
4.2.	Description of function keys	6
4.3.	Display description	7
5.	OPERATING INSTRUCTIONS	8
5.1.	Switching on/off the instrument	8
5.2.	Resistance measurement	9
5.2.1.	Operating principle	9
5.2.2.	Clamp operation check.....	10
5.2.3.	Methods for resistance measurement on earth rods	11
5.2.3.1.	Multiple-rod systems.....	11
5.2.3.2.	Systems composed of a single rod	12
5.2.4.	HOLD.....	15
5.2.5.	MEM.....	15
5.2.6.	Anomalous situations	15
5.3.	Current measurement (T2000).....	16
5.3.1.	HOLD.....	16
5.3.2.	Anomalous situations	16
5.4.	Leakage current measurement (T2000).....	17
5.4.1.	HOLD.....	17
5.4.2.	Anomalous situations	17
5.5.	Managing the memory	18
5.5.1.	Storage of data in the memory	18
5.5.2.	Recalling the results on the display.....	18
5.5.3.	Deleting the internal memory	19
5.6.	Setting of alarm thresholds in resistance measurement	19
5.7.	RS232 communication with a Master instrument (T2100)	20
5.8.	Disabling Auto Power OFF function	21
5.9.	Disabling sound function	21
6.	MAINTENANCE	22
6.1.	General information.....	22
6.2.	Battery replacement	22
6.3.	Cleaning the instrument	22
6.4.	End of life	22
7.	TECHNICAL SPECIFICATIONS	23
7.1.	Reference conditions	23
7.2.	Technical characteristics.....	23
7.2.1.	Reference guidelines.....	24
7.2.2.	General characteristics.....	24
7.3.	Environment.....	24
7.3.1.	Environmental conditions for use	24
7.4.	Accessories provided	24
8.	SERVICE.....	25
8.1.	Warranty conditions	25
8.2.	Service	25

1. PRECAUTIONS AND SAFETY MEASURES

This manual refers to two models: **T2000** and **T2100**. Further in this manual, the word “instrument” will be used to generically refer to both models unless otherwise specified.

The instrument has been designed in compliance with directive IEC/EN61010-1 relevant to electronic measuring instruments. For your safety and in order to prevent damaging the instrument, please carefully follow the procedures described in this manual and read all notes preceded by the symbol  with the utmost attention. Before and after carrying out the measurements, carefully observe the following instructions:

- Do not carry out any current measurement in humid environments.
- Do not carry out any measurements in case gas, explosive materials or flammables are present, or in dusty environments.
- Avoid any contact with the circuit being measured, even if no measurements are being carried out.
- Avoid any contact with exposed metal parts, with unused measuring probes, circuits, etc.
- Do not carry out any measurement in case you find anomalies in the instrument such as deformation, breaks, substance leaks, absence of display on the screen, etc.

In this manual, and on the instrument, the following symbols are used:



CAUTION: observe the instructions given in this manual; improper use could damage the instrument, its components and create dangerous situations for the operator.



This symbol indicates that the clamp can operate on live conductors



Double-insulated meter



Connection to earth

1.1. PRELIMINARY INSTRUCTIONS

- This instrument has been designed for use in environments of pollution degree 2.
- The instrument can be used for **Resistance** measurements (T2000 and T2100) and **AC current** measurements (T2000) on installations with measurement category CAT IV 300V, CAT III 600V to ground. For a definition of measurement categories, see § 1.4.
- We recommend following the normal safety rules devised by the procedures for carrying out operations on live systems and using the prescribed PPE to protect the user against dangerous currents and the instrument against incorrect use.
- The instrument can be used on TT, TN and IT electrical systems of industrial, civil, medical or zoo-technical type, both under ordinary conditions where contact voltage limit is 50V, and under special conditions where contact voltage limit is 25V.
- We recommend following the normal safety rules devised to protect the user against dangerous currents and the instrument against incorrect use.
- Only the accessories provided together with the instrument will guarantee safety standards. They must be in good conditions and replaced with identical models, when necessary.
- Do not test circuits exceeding the specified current limits (T2000).
- Do not perform any test under environmental conditions exceeding the limits indicated in this manual.
- Check that the batteries are correctly inserted.

1.2. DURING USE

Please carefully read the following recommendations and instructions:



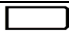
CAUTION

Failure to comply with the Caution notes and/or Instructions may damage the instrument and/or its components or be a source of danger for the operator.

- Operate the clamp lever twice before switching on the instrument, to make sure that the clamp jaws are completely closed.
- When switching on the instrument, DO NOT operate the clamp lever and do not clamp any cable.
- Avoid measuring resistance if external voltages are present. Even if the instrument is protected, excessive voltage could cause malfunctions.
- During current measurement (T2000), any other current near the clamp may affect measurement precision.
- When measuring current (T2000), always put the conductor as near as possible to the middle of the clamp jaw, to obtain the most accurate reading.
- While measuring, if the value of the quantity being measured remains unchanged, check if the HOLD function is enabled.



CAUTION

If the symbol “” is displayed during use, interrupt testing, disconnect the instrument from the system, switch off the instrument and replace its batteries (see § 6.2).

1.3. AFTER USE

- When measurements are completed, switch off the instrument by pressing and holding (>2s) the **ON/OFF** key (see § 5).
- If the instrument is not to be used for a long time, remove the batteries.

1.4. DEFINITION OF MEASUREMENT (OVERVOLTAGE) CATEGORY

Standard “IEC/EN61010-1: Safety requirements for electrical equipment for measurement, control and laboratory use, Part 1: General requirements” defines what measurement category, commonly called overvoltage category, is. § 6.7.4: Measured circuits, reads:

Circuits are divided into the following measurement categories:

- **Measurement category IV** is for measurements performed at the source of the low-voltage installation.
Examples are electricity meters and measurements on primary overcurrent protection devices and ripple control units
- **Measurement category III** is for measurements performed on installations inside buildings.
Examples are measurements on distribution boards, circuit breakers, wiring, including cables, bus-bars, junction boxes, switches, socket-outlets in the fixed installation, and equipment for industrial use and some other equipment, for example, stationary motors with permanent connection to fixed installation
- **Measurement category II** is for measurements performed on circuits directly connected to the low-voltage installation.
Examples are measurements on household appliances, portable tools and similar equipment.
- **Measurement category I** is for measurements performed on circuits not directly connected to MAINS.
Examples are measurements on circuits not derived from MAINS, and specially protected (internal) MAINS-derived circuits. In the latter case, transient stresses are variable; for that reason, the standard requires that the transient withstand capability of the equipment is made known to the user.

2. GENERAL DESCRIPTION

T2000 allows carrying out the following functions:

- Resistance measurement on earth rods with resistive loop method
- Direct measurement on earth probes without any cable interruption
- Measurement of leakage current on earth systems (T2000)
- Setting of alarm thresholds on measurements
- Storage of measurement results
- Download to MASTER instrument by means of RS232 port (T2100) of resistance values and all measurements stored in the instrument's memory

There are 7 multifunction keys on the instrument. The selected quantity appears on the LCD display with the indication of the measuring unit and of the enabled functions. The instrument is also equipped with an Auto Power OFF device which automatically switches off the instrument approx. 5 minutes after the last time a function key was pressed or the clamp was opened, and with an LCD backlight to carry out measurements even in poorly illuminated environments.

2.1. MEASURING AVERAGE VALUES AND TRMS VALUES

Measuring instruments of alternating quantities are divided into two big families:

- AVERAGE-VALUE meters: instruments measuring the value of the sole wave at fundamental frequency (50 or 60 Hz)
- TRMS (True Root Mean Square) VALUE meters: instruments measuring the TRMS value of the quantity being tested.

With a perfectly sinusoidal wave, the two families of instruments provide identical results. With distorted waves, instead, the readings shall differ. Average-value meters provide the RMS value of the sole fundamental wave; TRSM meters, instead, provide the RMS value of the whole wave, including harmonics (within the instrument's bandwidth). Therefore, by measuring the same quantity with instruments from both families, the values obtained are identical only if the wave is perfectly sinusoidal. In case it is distorted, TRMS meters shall provide higher values than the values read by average-value meters.

2.2. DEFINITION OF TRUE ROOT MEAN SQUARE VALUE AND CREST FACTOR

The root mean square value of current is defined as follows: *"In a time equal to a period, an alternating current with a root mean square value with an intensity of 1A, circulating on a resistor, dissipates the same energy that, during the same time, would have been dissipated by a direct current with an intensity of 1A"*. This definition results in the numeric expression:

$$G = \sqrt{\frac{1}{T} \int_{t_0}^{t_0+T} g^2(t) dt}$$

The *root mean square value* is indicated with the acronym RMS.

The Crest Factor is defined as the relationship between the Peak Value of a signal and its

RMS value: $CF (G) = \frac{G_p}{G_{RMS}}$ This value changes with the signal waveform, for a purely

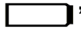
sinusoidal wave it is $\sqrt{2} = 1.41$. In case of distortion, the Crest Factor takes higher values as wave distortion increases.

3. PREPARATION FOR USE

3.1. INITIAL CHECKS

Before shipping, the instrument has been checked from an electric as well as mechanical point of view. All possible precautions have been taken so that the instrument is delivered undamaged. However, we recommend rapidly checking it to detect any damage possibly suffered during transport. In case anomalies are found, immediately contact the dealer. We also recommend checking that the packaging contains all components indicated in § 7.4. In case of discrepancy, please contact the dealer. In case the instrument should be returned, please follow the instructions given in § 7.

3.2. INSTRUMENT POWER SUPPLY

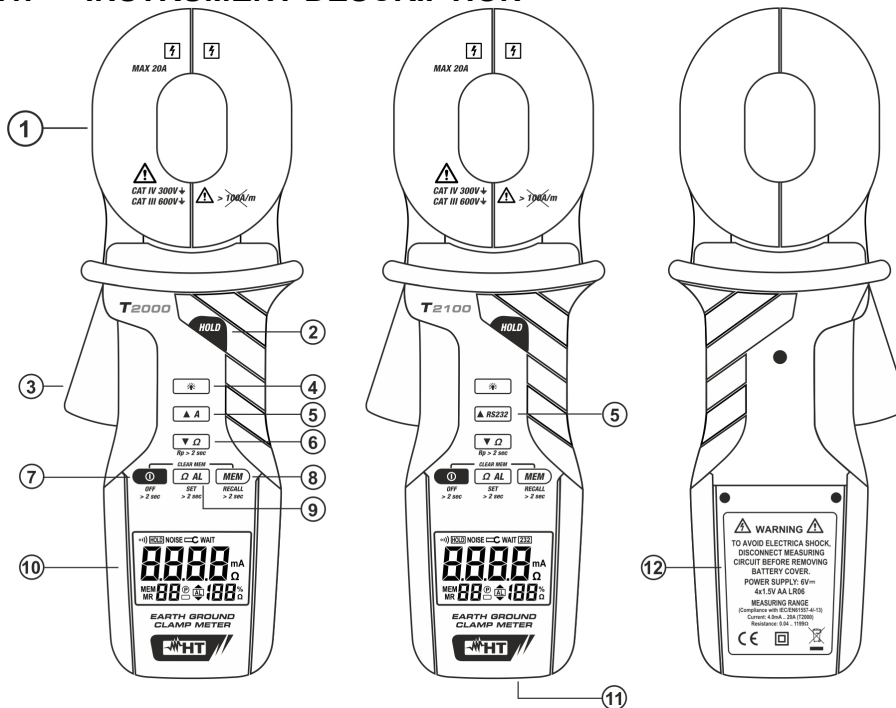
The instrument is supplied by alkaline batteries (see § 7.2.2). When batteries are flat, the flat battery symbol “” appears on the display. Replace/insert the batteries by following the instructions given in § 6.2.

3.3. STORAGE

In order to guarantee precise measurement, after a long storage time under extreme environmental conditions, wait for the instrument to come back to normal conditions (see § 7.3).

4. NOMENCLATURE

4.1. INSTRUMENT DESCRIPTION



CAPTION:

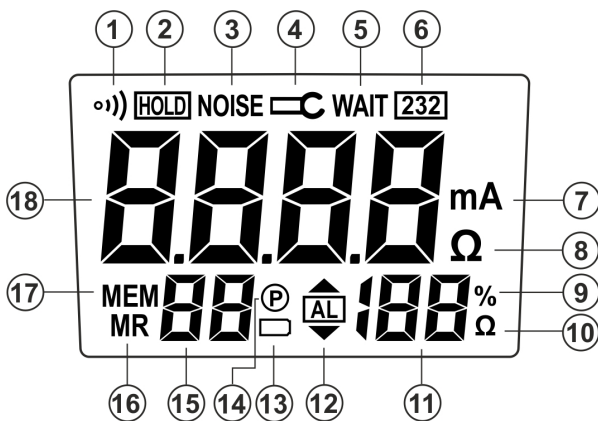
1. Double input clamp
2. **HOLD** key
3. Jaw trigger
4. ☀ key
5. ▲▲ key (T2000), ▲RS232 key (T2100)
6. ▼Ω key
7. **ON/OFF** key
8. **MEM** key
9. ΩAL key
10. LCD display
11. RS232 half-duplex interface (T2100)
12. Battery cover

Fig. 1: Instrument description

4.2. DESCRIPTION OF FUNCTION KEYS

Function key	Description
HOLD	Enables/disables “HOLD” function
☀	Enables/disables display backlight
▲▲ ▲RS232	<ul style="list-style-type: none"> ➤ Switches to current measuring mode (T2000) ➤ Switches to RS232 mode (T2100) ➤ ▲ → Increases the alarm threshold value for resistance measurements and is used in memory recall mode
▼Ω	<ul style="list-style-type: none"> ➤ Switches to resistance measuring mode ➤ ▼ → Decreases the alarm threshold value for resistance measurements and is used in memory recall mode
ON/OFF	Switches the instrument on/off (by pressing and holding >2s)
ΩAL	<ul style="list-style-type: none"> ➤ Enables/disables the alarm function for resistance measurements ➤ Sets alarm thresholds (by pressing and holding >2s)
MEM	<ul style="list-style-type: none"> ➤ Saves data in the memory (max 99 locations) ➤ Switches to memory recall mode (by pressing and holding > 2s)

4.3. DISPLAY DESCRIPTION



CAPTION:

1. Active buzzer
2. Symbol of active Data HOLD function
3. Symbol of noise
4. Symbol of open clamp
5. Symbol of wait
6. Symbol of activeRS232 (T2100)
7. Current measuring unit (T2000)
8. Resistance measuring unit
9. Battery level percentage
10. Alarm resistance unit
11. Alarm resistance threshold or battery level percentage value
12. Activated alarm symbol
13. Low battery indication
14. Auto Power Off symbol
15. Active memory location
16. Memory Recall mode symbol
17. Memory data symbol
18. Main display

Fig. 2: Display description

Symbol	Description of special symbols
232	This symbol indicates the communication mode to a MASTER instrument (T2100)
	This symbol is displayed when the instrument's clamp is open or not completely closed while measuring resistance. Should this symbol be displayed continuously, the clamp may be damaged. In this case, it is necessary to stop measuring.
<i>Err.0</i>	This message is displayed when, during the initial instrument's calibration process the clamp is opened. After the clamp is closed, the calibration process starts once again automatically from the beginning.
<i>Err.1</i>	This message appears on the display if, at the end of the 9 initial steps, the instrument indicates the initial calibration process failed. Switch off and on the instrument and perform a new calibration. If the message appears again contact the service assistance
	This symbol is shown when battery level percentage is under 25%. In this case, measurement accuracy is not granted and batteries must be replaced.
<i>OL.</i> Ω	This symbol indicates overload conditions during resistance measurement.
<i>OL.</i> A	This symbol indicates overload conditions during current measurement. (T2000)
	This symbol indicates sound function is on.
MEM	This symbol indicates memory location
MR	This symbol indicates memory recall mode
NOISE	This symbol indicates noise is present and will affect the accuracy of resistance measurement.

5. OPERATING INSTRUCTIONS

5.1. SWITCHING ON/OFF THE INSTRUMENT



CAUTION

- When switching on the instrument, do not operate the clamp lever, do not open the clamp and do not clamp any cable
- When message “OL Ω ” appears on the display, it is possible to open the clamp and to clamp a cable being measured
- After switching on the instrument, keep it under normal conditions without applying any pressure on the clamp in order to maintain measuring accuracy
- The normal function of the product may be disturbed by strong electromagnetic interference. If so, simply reset the product to resume normal operation by following the instruction manual. In case the function cannot resume, please use the product in other locations

1. **Open and close gently the jaws twice before switching on the instrument in order to check that the clamp closes properly**
2. Press the **ON/OFF** key to switch on the instrument. In a sequence, the instrument displays:
 - The screen with all existing symbols (see Fig. 3 – left side)
 - The screen with the loaded firmware version (see Fig. 3 – central part)
 - Carries out the calibration process, showing a countdown which starts from “**CAL.9**” and comes down to “**CAL.0**” (see Fig. 3 – right side).

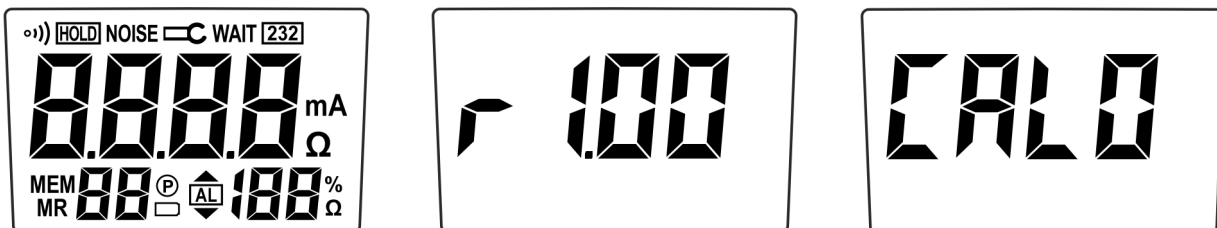


Fig. 3: Sequence of screens upon switching on the instrument

3. If, during the instrument’s calibration process, the clamp is opened before calibration process is complete the “**Err.0**” message is displayed (see Fig. 4). After the clamp is closed, the calibration process starts once again automatically from the beginning.



Fig. 4

4. At the end of the switching-on sequence, under normal operating conditions, the screen in Fig. 5 appears on the display, associated with a continuous sound.

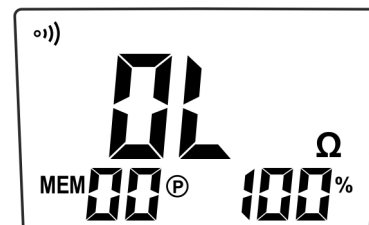


Fig. 5

5. Approximately 5 minutes after switching on the instrument, if it remains idle, or battery electricity is lower than 5% an auto-power off procedure starts in order to spare the charge of the internal batteries

5.2. RESISTANCE MEASUREMENT



CAUTION

Measurements carried out by the instrument can be used to evaluate single rods' resistance values within an earth installation without disconnecting the rods, **assuming they do not affect each other.**

5.2.1. Operating principle

The principle upon which the test carried out by the instrument is based is the “resistive loop resistance measurement”, as shown in Fig.6

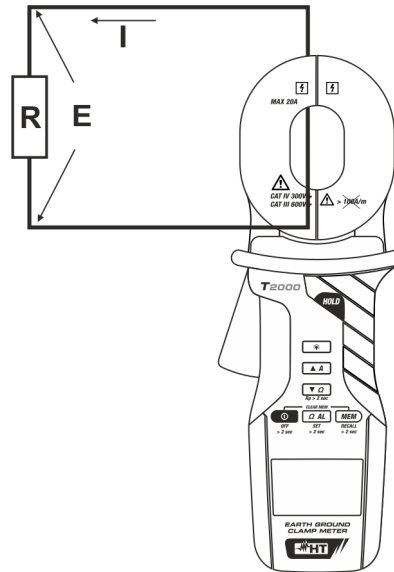


Fig. 6: Measurement of loop resistance

The inner part of the instrument is made of 2 jaws, one for current and one for voltage. The voltage jaws generate a potential (E) on the loop during resistance (R) measurement. A current (I) is consequently generated on the loop and is measured by the current jaws. Based on the value of parameters E and I, the instrument displays the resistance R value calculated as a ratio:

$$R = \frac{E}{I}$$

5.2.2. Clamp operation check

1. Press the **ON/OFF** key to switch on the instrument
2. The displayed message “**OL Ω**” indicates that the instrument is ready to carry out measurements
3. Open the jaws gently (the display will show the screen in Fig. 7) and clamp one test loop provided as accessory (see Fig. 8).

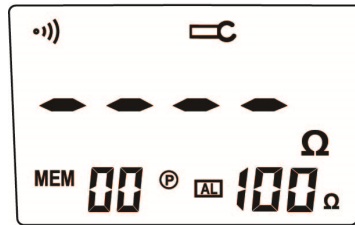


Fig. 7

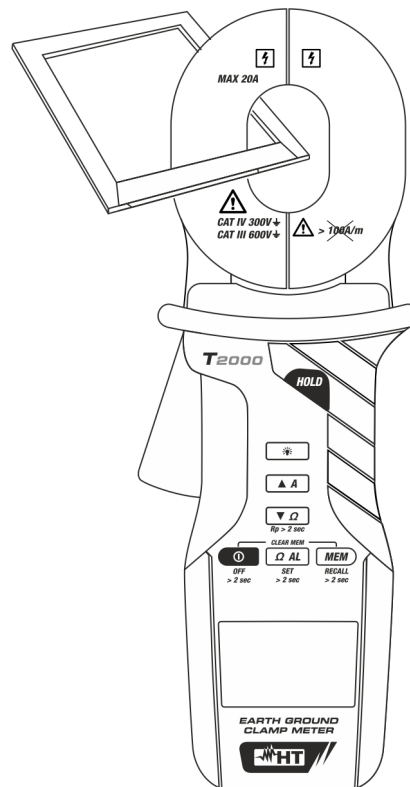


Fig. 8: Resistance measurement of test loop

4. Check that the test resistance value is equal to **5.0Ω** (for test loop of 5Ω). A value measured by the instrument showing a difference of **±0.3Ω** with respect to the rated value is acceptable (a display of 4.7Ω or 5.3Ω).

5.2.3. Methods for resistance measurement on earth rods

1. Press the **ON/OFF** key to switch on the instrument
2. The displayed message “**OL Ω**” indicates that the instrument is ready to carry out measurements.
3. Open the jaws gently (the display will show the screen in Fig. 7) and clamp the rod to be measured, then read the result on the display.

According to the type of installation found, refer to the cases described below.

5.2.3.1. Multiple-rod systems

Measuring the earth resistance of 1 rod making part of an earth system

In case of an earth system made of many rods connected in parallel (e.g.: high-voltage poles, communication systems, industrial buildings, etc...) each of them individually earthed, the instrument's connection diagram can be sketched as shown in Fig.9

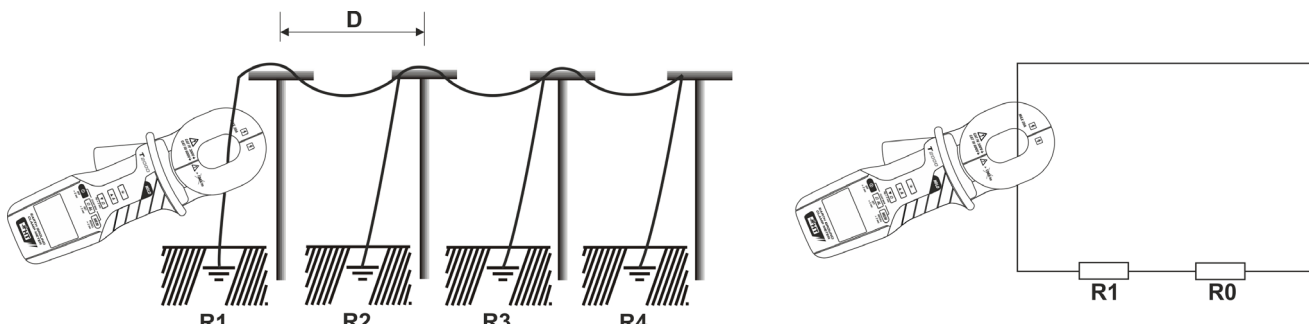


Fig. 9: Instrument's connection to a multiple-rod system

The instrument provides the sum $R \cong R1 + R0$ as measured value (1)

in which:

$R1$ = resistance of the object being tested

$R0 = R2 // R3 // R4$ = resistance equal to parallel among resistances $R2, R3, R4$

CAUTION



The relationship (1) is to be considered valid only provided that it is possible to neglect the effect of “mutual influence” among the rods connected in parallel, i.e. with rods **placed at a sufficient distance D between each other (where D is equal to at least 5 times the length of a single rod or 5 times the maximum system diagonal)**, so that they do not influence each other.

In case the formula (1) is valid, the value of parameter $R0$ is usually much smaller than the value of parameter $R1$, and an error is negligible assuming that $R0 \cong 0$. In this way, we can say that the resistance measured by the instrument corresponds to the resistance of the rod under test, anyway increased for the sake of safety within the RCDs' coordination. The same procedure can be performed by moving the clamp on the other rods connected in parallel in order to assess the values of resistance $R2, R3$ and $R4$.

5.2.3.2. Systems composed of a single rod

According to its operating principle, the instrument can only perform measurements on resistive loops. This means that it is not possible to measure systems made of a single rod. In these cases, it is still possible to assess whether the resistance of the rod being tested is lower than the maximum allowable value for earth resistance of the installation to be measured (assessed with the traditional volt-ampere method) and whether it is suitable for the installation, using an auxiliary rod placed close to the installation, thus creating an artificial resistive loop.

Two different methods to perform such an assessment are described hereunder.

(A) Measuring the earth resistance of a rod with the 2-point method

As shown in Fig. 10 at an appropriate distance from the rod being tested with RA resistance, an auxiliary rod is to be associated, having RB resistance and optimal features in terms of earthing (e.g.: metal pipe, reinforced concrete building, etc...). These rods must be connected by a conductor with an appropriate cross-section, in order to make RL negligible.

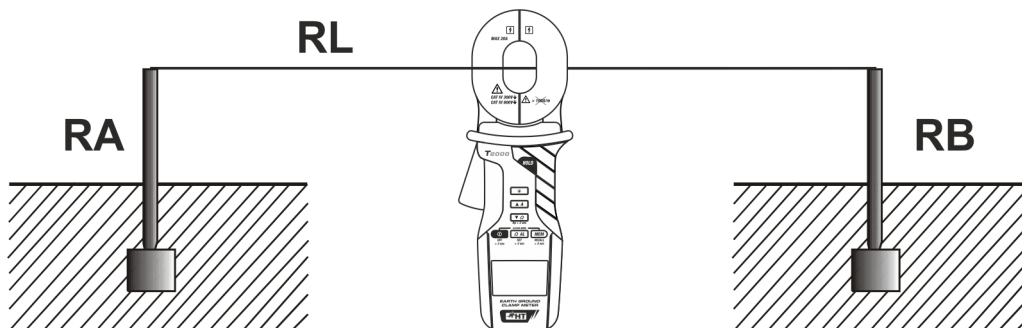


Fig. 10: Assessment of rod resistance based on two-point method

Under these conditions, the resistance measured by the instrument is:

$$R = RA + RB + RL \sim RA + RB \quad (2)$$



CAUTION

The relationship (2) is to be considered valid only provided that it is possible to neglect the effect of “mutual influence” among the rods connected in series, i.e. with rods **placed at a sufficient distance between each other (equal to at least 5 times the length of a single rod or 5 times the maximum system diagonal)**, so that they do not influence each other.

Therefore, if the value measured by the instrument is lower than the maximum allowable value of the installation’s earth resistance to which the RA earth rod refers to (e.g.: where 30mA RCD \rightarrow $RT < 50V / 30mA = 1667\Omega$) the RA rod finally results to be optimal to be qualified as an earth rod.

(B) Measuring the earth resistance of a rod with the 3-point method

In this situation, at an appropriate distance from the rod being tested with RA resistance, there are two independent auxiliary rods with resistance RB and RC, having optimal features in terms of earthing (e.g.: metal pipe, reinforced concrete building, etc...), **whose value can be compared to the value of RA.**

As a first measurement (see Fig. 11), connect the RA rod to the RB rod and use the instrument to measure the value of resistance R1.

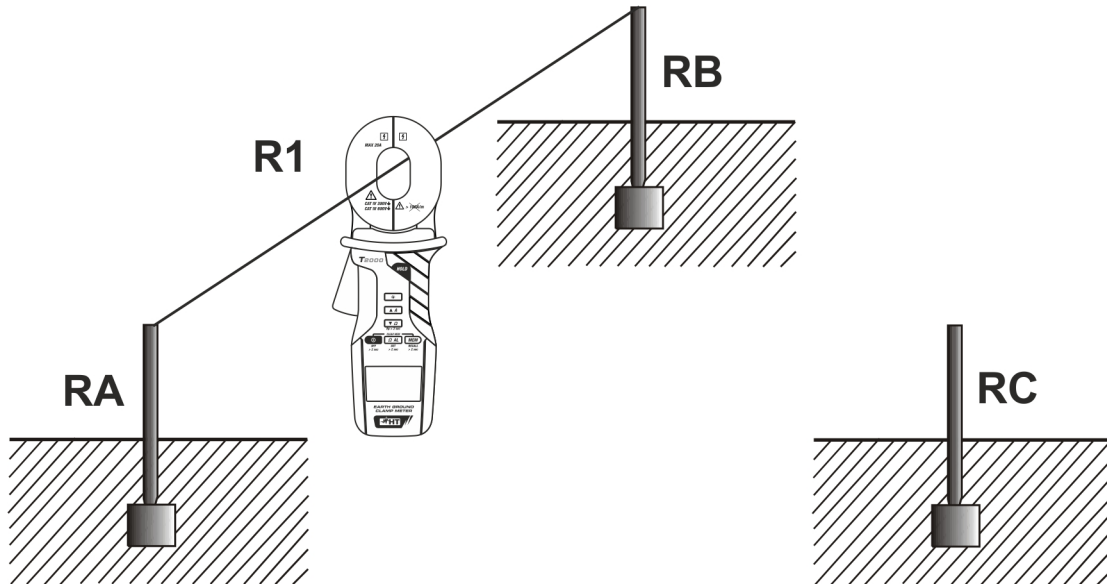


Fig. 11: Three-point method: first test R1

As a second measurement (see Fig. 12), connect the RB rod to the RC rod and use the instrument to measure the value of resistance R2.

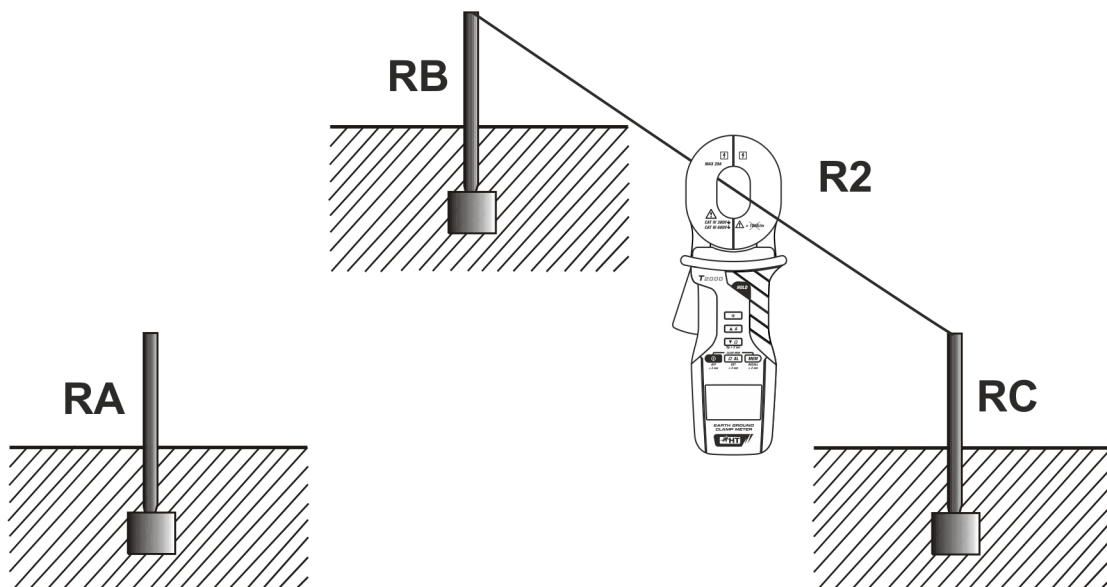


Fig. 12: Three-point method: second test R2

As a third measurement (see Fig. 13), connect the RC rod to the RA rod and use the instrument to measure the value of resistance R3.

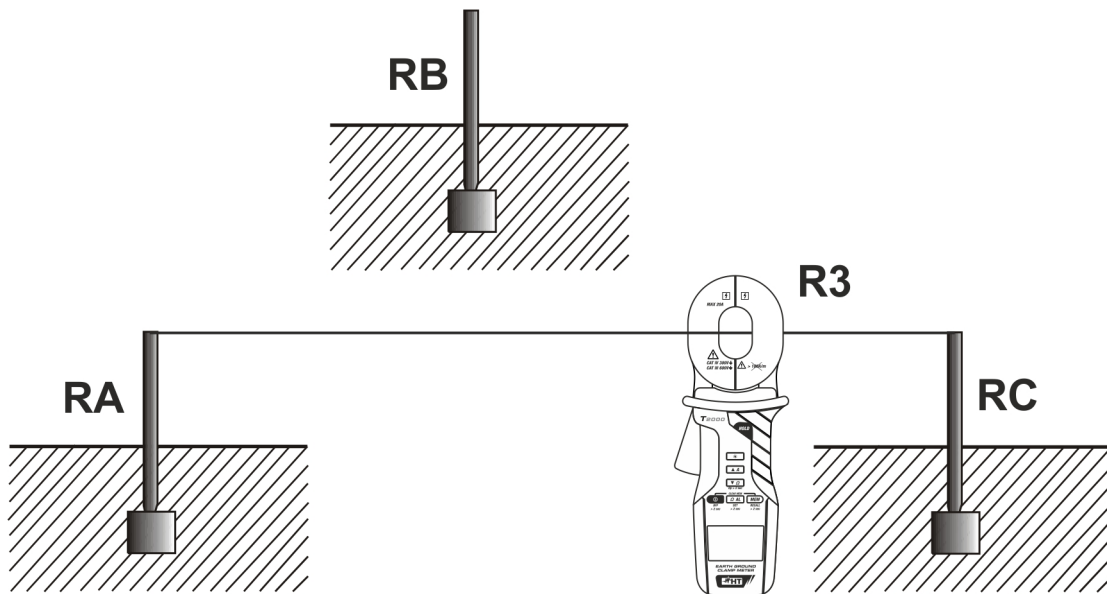


Fig. 13: Three-point method: third test R3

Under these conditions, assuming that the resistance of the cables connecting the rods is negligible, the following relationships are valid:

$$R1 = RA + RB \quad (3)$$

$$R2 = RB + RC \quad (4)$$

$$R3 = RC + RA \quad (5)$$

where the values R1, R2 e R3 are measured by the instrument.

CAUTION



The relationships (3), (4) and (5) are to be considered valid only provided that it is possible to neglect the effect of “mutual influence” among the rods connected in series, i.e. with rods **placed at a sufficient distance between each other (equal to at least 5 times the length of a single rod or 5 times the maximum system diagonal)** so that they do not influence each other.

The result of the relationships (3), (4) and (5) is:

$$RA = (R1 + R3 - R2) / 2 \rightarrow \text{Resistance of rod A}$$

and consequently:

$$RB = R1 - RA \rightarrow \text{Resistance of rod B}$$

$$RC = R3 - RA \rightarrow \text{Resistance of rod C}$$

5.2.4. HOLD

Shortly pressing the **HOLD** key activates the “HOLD” function and freezes the result on the display (see Fig. 14). To go back to the normal measuring mode press the **HOLD** key again or press the **▲A** (T2000) (**▲RS232**) (T2100) or **▼Ω** key (to quit “HOLD” and enter resistance or current measuring mode).

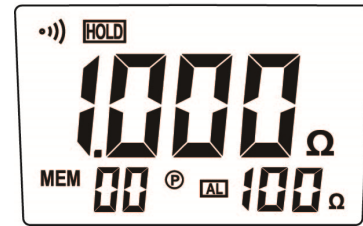


Fig. 14

5.2.5. MEM

Shortly pressing the **MEM** key activates the “MEM” function, and the result on the display is saved in the internal memory (see § 5.5.1)

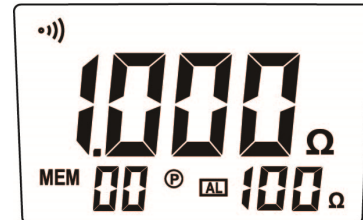


Fig. 15

5.2.6. Anomalous situations

While measuring, the indication “**OL Ω**” means that the resistance measured exceeds the maximum value which can be measured by the instrument (see Fig. 16).

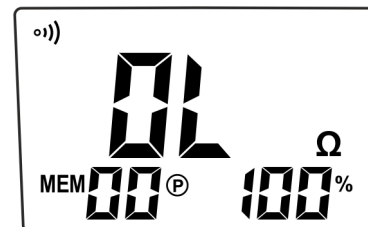


Fig. 16

The symbol “**•))**” indicates sound function is turned on, and the symbol “**AL**” indicates resistance alarm is turned on if the resistance value is higher than the set resistance threshold, the alarm sound and the symbol “**AL**” flashes.. For managing the alarm thresholds see § 5.6

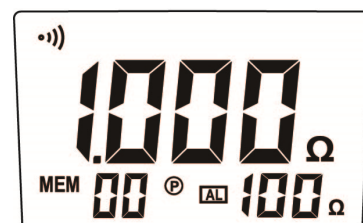


Fig. 17

While measuring, the symbol “**NOISE**” means that the instrument has detected a disturbance current on the resistance measurement loop.

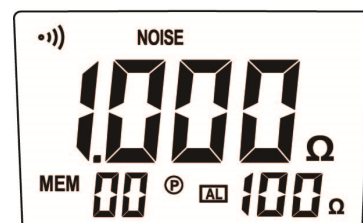


Fig. 18

5.3. CURRENT MEASUREMENT (T2000)



CAUTION

Do not measure AC current values exceeding **20A** in order to prevent possible electrical shocks and any damage to the instrument.

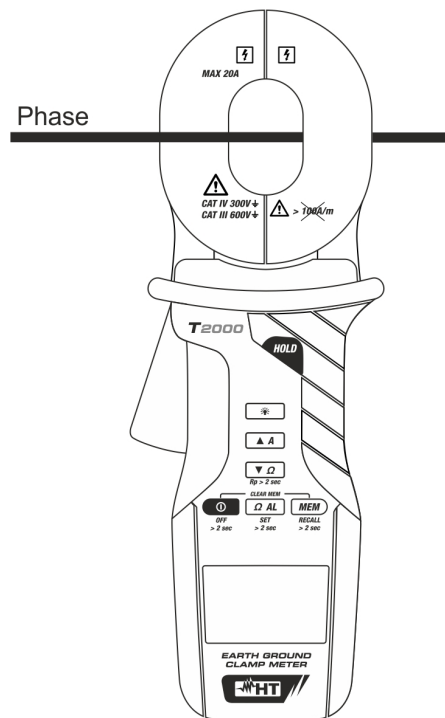


Fig. 19: AC current measurement

1. Press the **ON/OFF** key to switch on the instrument
2. The instrument displays the message “**OL Ω**” as it automatically sets for resistance measurement. Shortly press the multifunction key **▲A** to enter current measuring mode. The screen in Fig. 20 is displayed
3. Open the jaws gently and clamp the cable to be measured (see Fig. 19), then read the displayed result

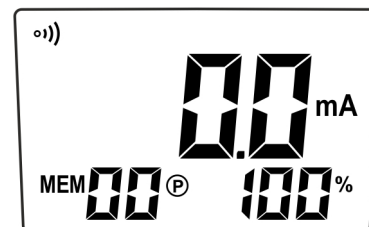


Fig. 20

5.3.1. HOLD

Shortly pressing the **HOLD** key activates the “**HOLD**” function and freezes the result on the display (see Fig. 21). To go back to the normal measuring mode press the **HOLD** key again or press the **▲A** or **▼Ω** key (to quit “**HOLD**” and enter resistance or current measuring mode).

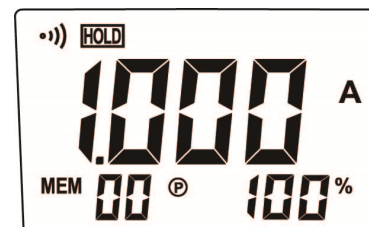


Fig. 21

5.3.2. Anomalous situations

While measuring, the indication “**OL A**” means that the measured current exceeds the maximum value which can be measured by the instrument (see Fig. 22).

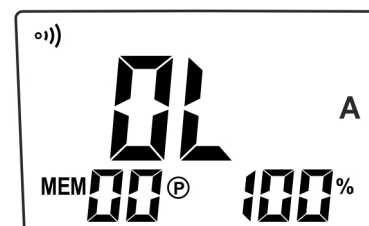


Fig. 22

5.4. LEAKAGE CURRENT MEASUREMENT (T2000)



CAUTION

Do not measure AC current values exceeding **20A** in order to prevent possible electrical shocks and any damage to the instrument.

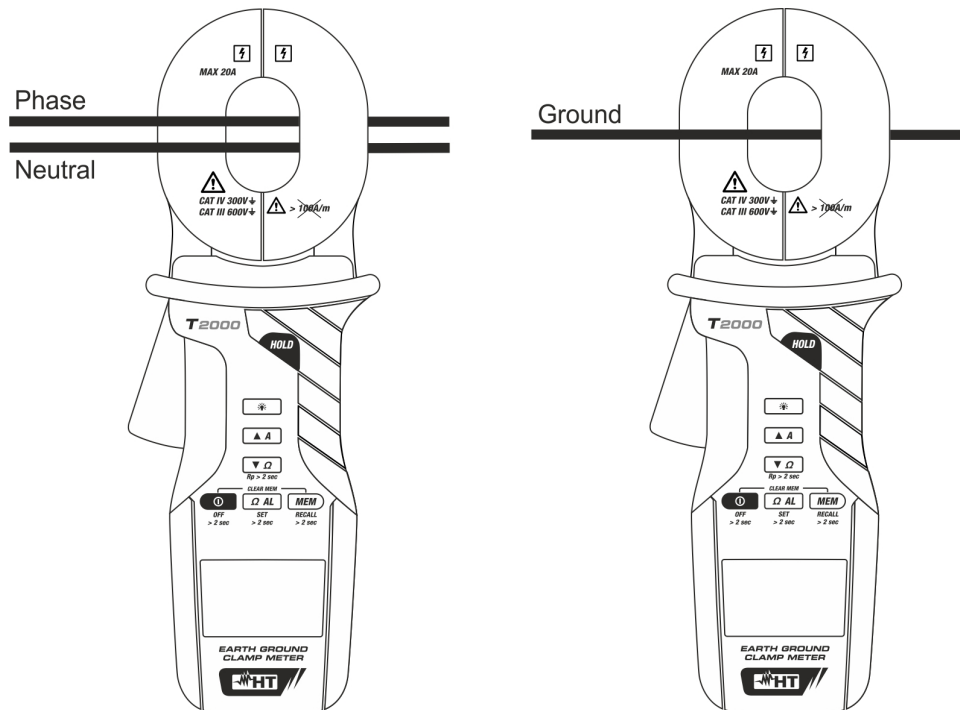


Fig. 23: Leakage current measurement

1. Press the **ON/OFF** key to switch on the instrument
2. The instrument displays the message “**OL Ω**” as it automatically sets for resistance measurement. Shortly press the multifunction key **▲A** to enter current measuring mode. The screen in Fig. 24 is displayed.

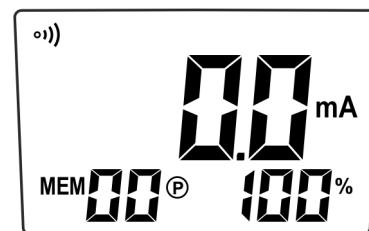


Fig. 24

3. Open the jaws gently and clamp the conductors corresponding to Phase and Neutral of the single-phase system (or the ground conductor) then read the displayed result.

5.4.1. HOLD

Shortly pressing the **HOLD** key activates the “**HOLD**” function and freezes the result on the display (see Fig. 25). To go back to the normal measuring mode press the **HOLD** key again or press the **▲A** or key **▼Ω** (quit “**HOLD**” and enter to resistance or current measuring mode)

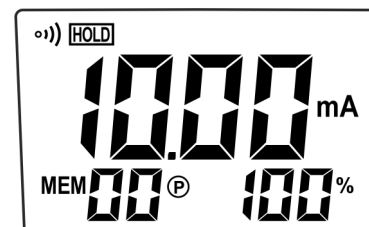


Fig. 25

5.4.2. Anomalous situations

While measuring, the indication “**OL A**” means that the current measured exceeds the maximum value which can be measured by the instrument (see Fig. 26).

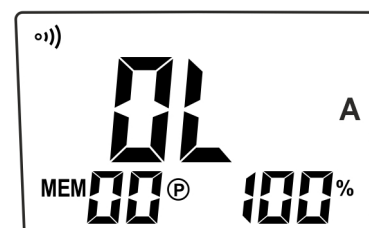


Fig. 26

5.5. MANAGING THE MEMORY

5.5.1. Storage of data in the memory

With the result of a **resistance** measurement shown on the display, by shortly pressing the **MEM** key the instrument automatically saves the result in the instrument's memory, starting from location "01" up to the location "99" (see Fig. 27)

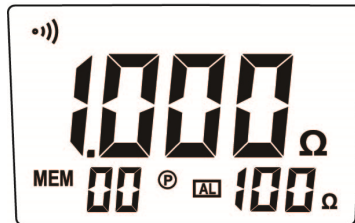


Fig. 27: Saving the result of a resistance measurement in the memory

If the internal memory of the clamp is full, by shortly pressing the **MEM** key the instrument shows the screen in Fig. 28 for 2 seconds, then goes back to the previously set real-time measuring mode

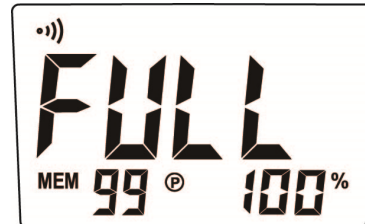


Fig. 28

5.5.2. Recalling the results on the display

1. Press the **ON/OFF** key to switch on the instrument
2. Press and hold the **MEM** key (>2s) to enter the memory recall mode. The "MR" symbol is shown (see Fig. 29)

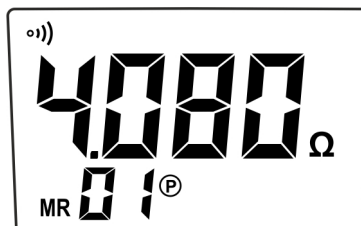


Fig. 29: Recalling result to the display

In case there are no data saved in the internal memory, the instrument shows the screen in Fig. 30

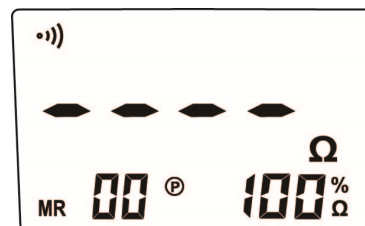


Fig. 30

3. Shortly press the **▲A** key (T2000), **▲RS232** key (T2100) or **▼Ω** key to respectively increase or decrease the number of the memory location and display the saved data or shortly press the **MEM** key to quit this mode.

4. **(T2100 only)** Press and hold the **MEM** key (>2s) in order to show the value of the parallel resistance calculated basing on all the results saved in the instrument's memory - see 5.2.3.1 (indicated by "rP" symbol on the display). Shortly press the **▲RS232** key or **▼Ω** key to quit this mode and go back to the results stored.

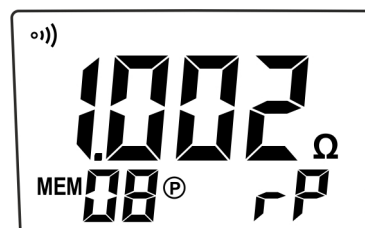


Fig. 31

5.5.3. Deleting the internal memory

1. Press the **ON/OFF** key (>2s) to switch off the instrument
2. Press both the **ON/OFF** key and the **MEM** key at the same time
3. The “Clr” message is shown on the display for a few seconds (see Fig. 32), the instrument deletes all saved data and automatically switches on in measuring mode



Fig. 32

5.6. SETTING OF ALARM THRESHOLDS IN RESISTANCE MEASUREMENT

1. Press the **ON/OFF** key to switch on the instrument
2. Press and hold (>2s) the **ΩAL** key in order to enter the alarm threshold setting section. The screen below is shown:



Fig. 33: Setting of alarm thresholds in resistance measurement

3. Shortly press the **▲A** key (T2000), **▲RS232** key (T2100) or **▼Ω** key to respectively increase or decrease the limit value of the alarm threshold in the range: **1Ω ÷ 199Ω**
4. Shortly press the **ΩAL** key to confirm the alarm threshold value set and go back to measuring mode

5.7. RS232 COMMUNICATION WITH A MASTER INSTRUMENT (T2100)

The T2100 model allows the following operations:

- Transmission in real time of the measured value to the MASTER instrument
- Transmission to the MASTER instrument of all the measured values contained in the memory



CAUTION

The clamp has a RS232 half-duplex serial output and, therefore, **it can ONLY be connected to suitable HT instruments**. Do not connect the clamp's serial output to other equipment as this may cause damage to the clamp itself.

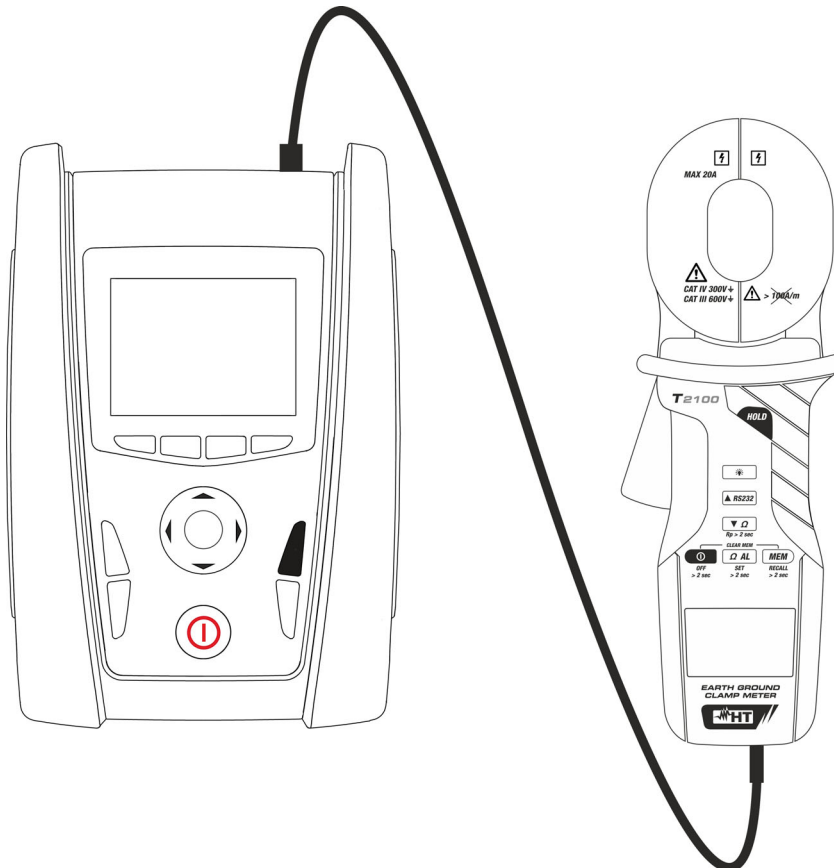


Fig. 34: Connecting T2100 to a MASTER instrument

1. Press the **ON/OFF** key to switch on the instrument.
2. Press the **▲RS232** key in order to enable the RS232 mode. The screen below is shown



Fig. 35: Enabling RS232 mode

3. Connect the clamp to the MASTER instrument with the cable.
4. Follow the instructions contained in the manual of the MASTER instrument in order to display the measured resistance value on the MASTER instrument's LCD or to transfer all the measured values stored in the memory of clamp T2100 to the MASTER instrument

5.8. DISABLING AUTO POWER OFF FUNCTION

1. Press the **ON/OFF** key (>2s) to switch off the instrument
2. Press both the **ON/OFF** key and the **HOLD** key at the same time
3. The “A.P.O no” message is shown on the display for a few seconds (see Fig. 36), the instrument automatically switches on in measuring mode and the “P” symbol (see Fig. 2 – part 14) disappears from the display. The function is automatically restored when re-booting the instrument

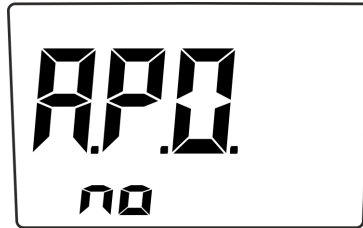


Fig. 36: Disabling Auto Power OFF function

5.9. DISABLING SOUND FUNCTION

1. Press the **ON/OFF** key (>2s) to switch off the instrument
2. Press both the **ON/OFF** key and the **ΩAL** key at the same time
3. The “bEEP no” message is shown on the display for a few seconds (see Fig. 37), the instrument automatically switches on in measuring mode and the “(o)”)” symbol (see Fig. 2 – part 1) disappears from the display. The function is automatically restored when re-booting the instrument. When the sound function is off, all sounds of the meter are deactivated including key tones and alarm tones



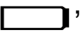
Fig. 37: Disabling sound function

6. MAINTENANCE

6.1. GENERAL INFORMATION

1. While using and storing the instrument, carefully observe the recommendations listed in this manual in order to prevent possible damage or danger during use.
2. Do not use the instrument in environments with high humidity levels or high temperatures. Do not expose to direct sunlight.
3. Always switch off the instrument after use. In case the instrument is not to be used for a long time, remove the batteries to avoid liquid leaks that could damage the instrument's internal circuits.

6.2. BATTERY REPLACEMENT

When the LCD displays the “” symbol, replace the batteries.

CAUTION



- Only expert and trained technicians should perform this operation. Before carrying out this operation, make sure you have disconnected all cables from the input terminals
- **Do not use rechargeable batteries on the instrument**

1. Press the **ON/OFF** key (>2s) to switch off the instrument.
2. Remove the battery compartment cover by loosening the relevant screw.
3. Remove all batteries and replace them with the same number of batteries of the same type (see § 7.2.2), respecting the indicated polarity.
4. Restore the battery compartment cover to its position.
5. Do not scatter old batteries into the environment. Use the relevant containers for waste battery disposal.

6.3. CLEANING THE INSTRUMENT

Use a soft and dry cloth to clean the instrument. Never use wet cloths, solvents, water, etc.

6.4. END OF LIFE



CAUTION: the symbol indicates that the appliance, the batteries and the accessories must be collected separately and correctly disposed of.

7. TECHNICAL SPECIFICATIONS

7.1. REFERENCE CONDITIONS

Parameter	Reference condition
Environmental temperature	20°C ± 3°C
Relative humidity	50%RH ± 10%
Battery voltage	6V ± 0.5V
External magnetic field	<40A/m
External electric field	<1V/m
Clamp positioning	Horizontal
Position of the conductor in the clamp	Centred
Closeness to metal masses	> 10cm
Loop resistances	None
Measured sinusoidal current frequency	50Hz
Distortion percentage	<0.5%
Disturbance current in resistance measurement	None

7.2. TECHNICAL CHARACTERISTICS

Accuracy is indicated as [% of reading + value] referred to the reference conditions.

Resistance

Range [Ω]	Resolution [Ω]	Accuracy
0.010 ÷ 1.999	0.001	±(1.5%rdg + 0.01Ω)
2.00 ÷ 19.99	0.01	±(1.5%rdg + 0.1Ω)
20.0 ÷ 199.9	0.1	±(3%rdg + 2Ω)
200 ÷ 499	1	±(5%rdg + 5Ω)
500 ÷ 799		±(10%rdg + 10Ω)
800 ÷ 1200		±(20%rdg + 20Ω)

If measured resistance is ≥1200Ω, the display shows "OL"

Resistance measuring frequency: >1kHz

Measuring range of resistance alarm threshold setting: 1Ω ÷ 199Ω

AC TRMS Current (T2000)

Range	Resolution	Accuracy
0.0mA ÷ 99.9mA	0.1mA	±(2.5%lrdg + 1mA)
100.0mA ÷ 399.9mA		±(2.5%rdg + 5mA)
400mA ÷ 999mA	1mA	±(2.5%rdg + 25mA)
1.000A ÷ 2.999A	0.001A	±(2.5%rdg + 0.025A)
3.00A ÷ 9.99A	0.01A	±(2.5%rdg + 0.05A)
10.00A ÷ 20.00A		±(2.5%rdg + 0.15A)

Mains frequency: 50/60Hz (sine, square, triangle);

Max bandwidth: 400Hz (sinusoidal);

Crest factor: ≤2.0

7.2.1. Reference guidelines

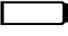
Safety:	IEC/EN61010-1, IEC/EN61010-2-032
EMC :	IEC/EN61326-1
Earth resistance :	IEC/EN61557-4 (partial), IEC60364-6 Appendix C.3
Leakage current (T2000):	IEC/EN61557-13
Insulation:	double insulation
Pollution level:	2
Measurement category:	CAT IV 300V, CAT III 600V to earth, Max. 20A

7.2.2. General characteristics

Mechanical characteristics

Dimensions (L x W x H):	293 x 105 x 54mm (12 x 4 x 3in)
Weight (batteries included):	1120g (47 ounces)
Max cable size:	31mm (1in)
Max bars sizes:	55 x 31mm (2 x 1in)
Mechanical protection:	IP20

Power supply

Battery type:	4 x1.5V alkaline batteries LR6 AA MN1500
Low battery indication:	the display shows symbol “  ”
Inner consumption:	<65mA
Auto Power OFF:	after 5 minutes of idleness

Display:

Characteristics:	4 LCD, decimal sign and point and backlight
------------------	---

Memory:

Memory capacity:	99 locations
------------------	--------------

Serial communication (T2100 only):

RS232 interface:	half-duplex, baud rate 4800
------------------	-----------------------------

7.3. ENVIRONMENT

7.3.1. Environmental conditions for use

Reference temperature:	20°C ± 3°C ; (68°F ± 37°F)
Operating temperature:	0°C ÷ 40°C ; (32°F ÷ 104°F)
Allowable relative humidity:	10%RH ÷ 90%RH
Max operating altitude:	2000m ; (6562ft)

**This instrument satisfies the requirements of Low Voltage Directive 2014/35/EU (LVD)
and of EMC Directive 2014/30/EU**

**This instrument satisfies the requirements of European Directive 2011/65/EU (RoHS)
and 2012/19/EU (WEEE)**

7.4. ACCESSORIES PROVIDED

- Resistive test loops (1Ω, 5Ω, 10Ω)
- RS232 communication cable (T2100)
- Batteries
- Rigid transport bag
- ISO9000 calibration certificate
- User manual

8. SERVICE

8.1. WARRANTY CONDITIONS

This instrument is warranted against any material or manufacturing defect, in compliance with the general sales conditions. During the warranty period, defective parts may be replaced. However, the manufacturer reserves the right to repair or replace the product. Should the instrument be returned to the After-sales Service or to a Dealer, transport will be at the Customer's charge. However, shipment will be agreed in advance. A report will always be enclosed to a shipment, stating the reasons for the product's return. Only use original packaging for shipment; any damage due to the use of non-original packaging material will be charged to the Customer. The manufacturer declines any responsibility for injury to people or damage to property.

The warranty shall not apply in the following cases:

- Repairs that may become necessary as a consequence of an incorrect use of the instrument or due to its use together with non-compatible appliances.
- Repairs that may become necessary as a consequence of improper packaging.
- Repairs which may become necessary as a consequence of interventions performed by unauthorized personnel.
- Modifications to the instrument performed without the manufacturer's explicit authorization.
- Use not provided for in the instrument's specifications or in the instruction manual.

The content of this manual cannot be reproduced in any form without the manufacturer's authorization.

Our products are patented and our trademarks are registered. The manufacturer reserves the right to make changes in the specifications and prices if this is due to improvements in technology.

8.2. SERVICE

If the instrument does not operate properly, before contacting the After-sales Service, please check the conditions of the batteries and replace them, if necessary. Should the instrument still operate improperly, check that the product is operated according to the instructions given in this manual. Should the instrument be returned to the After-sales Service or to a Dealer, transport will be at the Customer's charge. However, shipment will be agreed in advance. A report will always be enclosed to a shipment, stating the reasons for the product's return. Only use original packaging for shipment; any damage due to the use of non-original packaging material will be charged to the Customer.